

# Thank You

For Choosing VantecUSA Product.

We are committed to providing you with the best service and support. If you have a problem with installing, getting the product to function or other product related question, please feel free to write to us. We will help you answer your question.

You can write to us at : [support@vantecusa.com](mailto:support@vantecusa.com)  
For the latest Drivers, Manual and Frequently Asked Questions (FAQ), they are available at our website at [vantecusa.com](http://vantecusa.com) or write to us.

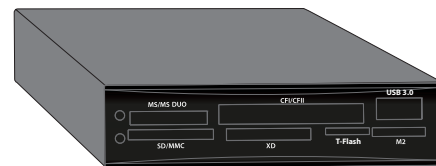


QRCode to product Page,  
Drivers, Manual, and FAQ.

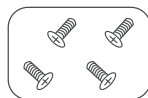
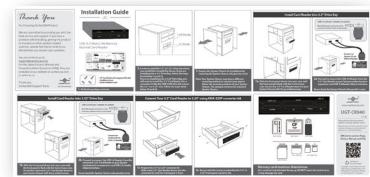
Thank you,  
VantecUSA Support Team.



## Installation Guide

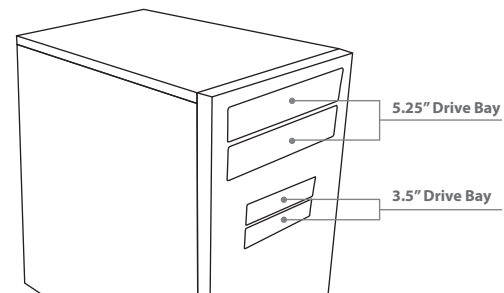


### USB 3.0 Multi-LUN Memory Internal Card Reader

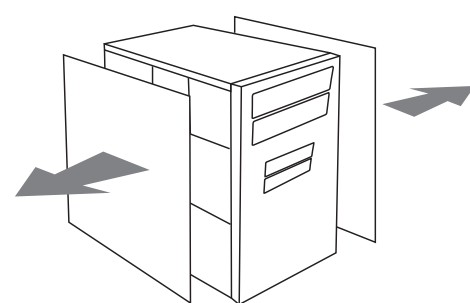


- + 3.5" Card Reader with integrated USB cable
- + installation screws
- + Quick Installation Guide

#### 1. Verify the package contents.

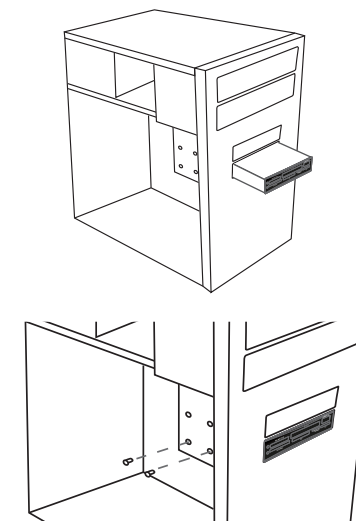


2. Locate an available 3.5" or 5.25" drive bay where you would like to install the device. If you are installing into a 3.5" Drive Bay, follow the steps listed below 1a and 2a. If you are installing into a 5.25" Drive Bay, you will need to install this 3.5" Card Reader into a converter kit like the HDA-525P, this will convert the 3.5" to a 5.25" size. Follow the steps listed below 1b and 2b.



3. Prepare the System Chassis for installation by removing the System Chassis side panel(s) cover.  
**Note:** Your System Chassis may have a different mounting method or special screw, please follow the mounting method of your System Chassis. The example shown is for standard System Chassis.

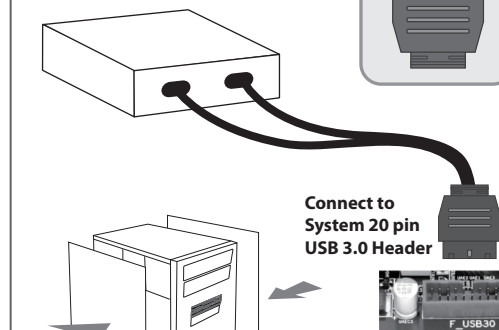
### Install Card Reader into 3.5" Drive Bay



- 1a. Slide the front panel device into your case until the front panel is flush with the front of your case. Secure this 3.5" Card Reader device to your System Chassis with the provided screws.

#### USB 3.0 (20-pin\*) header on system

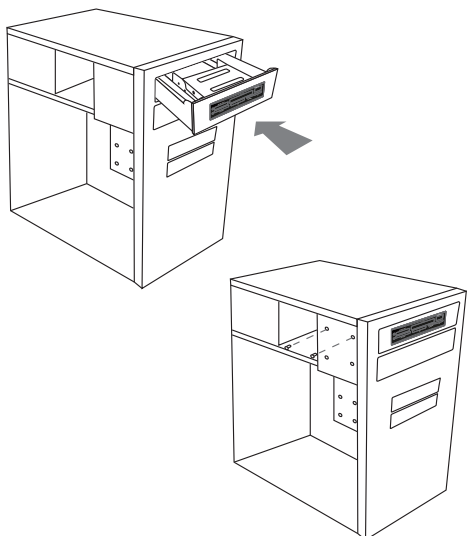
Note: Missing pin and notch on the connector matches notch on the header



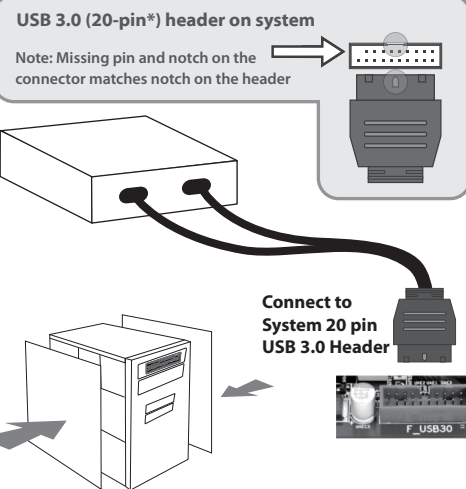
- 2a. Proceed to connect the USB 3.0 Header from this 3.5" Card Reader to your System motherboard or expansion card USB 3.0 Header (20pin) interface.

Secure back the System Chassis side panel(s) cover.

### Install Card Reader into 5.25" Drive Bay

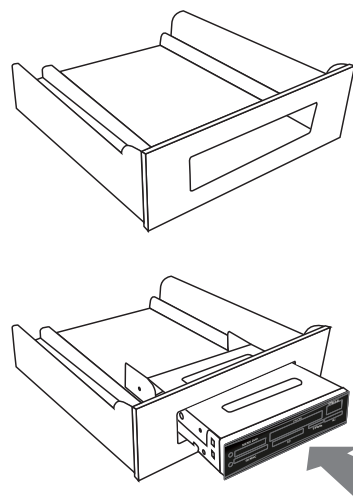


- 1b. Slide the front panel device into your case until the front panel is flush with the front of your case. Secure this converted 5.25" Card Reader device to your System Chassis with the provided screws.

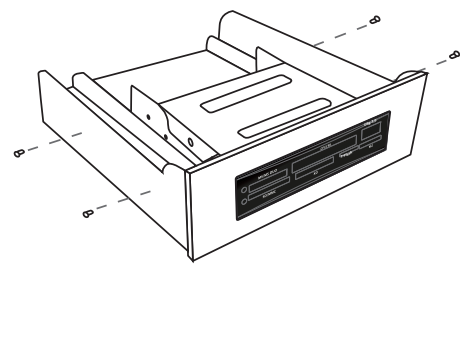


- 2b. Proceed to connect the USB 3.0 Header from this converted 5.25" Card Reader to your System motherboard or expansion card USB 3.0 Header (20pin) interface. Secure back the System Chassis side panel(s) cover.

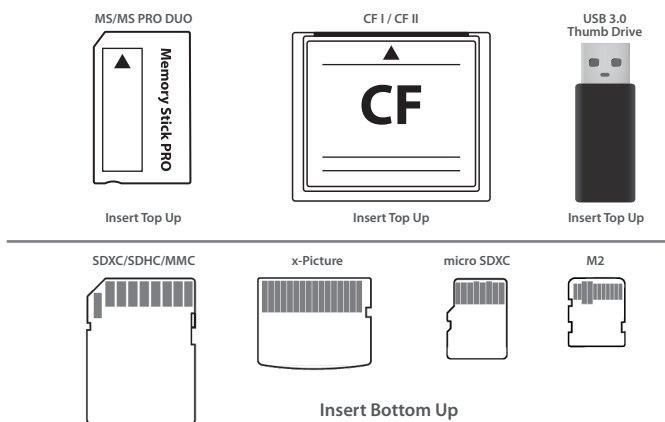
### Convert Your 3.5" Card Reader to 5.25" using HDA-525P converter kit



- 1c. Prepare the 3.5" to 5.25" converter kit. Slide in the 3.5" Card Reader device into the converter kit until the front panel is flush.



- 2c. Secure with the screws provided by the 3.5" to 5.25" front panel converter kit.



#### Memory Card Insertion Orientation.

**NOTE:** The insertion orientation, Memory Stick and CF are inserted with card label facing up. The SD/MMC, XD, MicroSD and M2 are inserted with card label facing down.



[www.vantecusa.com](http://www.vantecusa.com)

## UGT-CR940

v1.04

Information in this document is subject to change without notice.

Reproduction of these materials in any manner whatsoever without written permission is strictly forbidden.

Printed on Recycled Paper.

Copyright © 2023 Vantec Thermal Technologies. All Rights Reserved. All Registered Trademarks Belong to Their Respective Companies.