

# Thank You

For Choosing VantecUSA Product.

We are committed to providing you with the best service and support. If you have a problem with installing, getting the product to function or other product related question, please feel free to write to us. We will help you answer your question.

You can write to us at : [support@vantecusa.com](mailto:support@vantecusa.com)  
For the latest Drivers, Manual and Frequently Asked Questions (FAQ), they are available at our website at [vantecusa.com](http://vantecusa.com) or write to us.

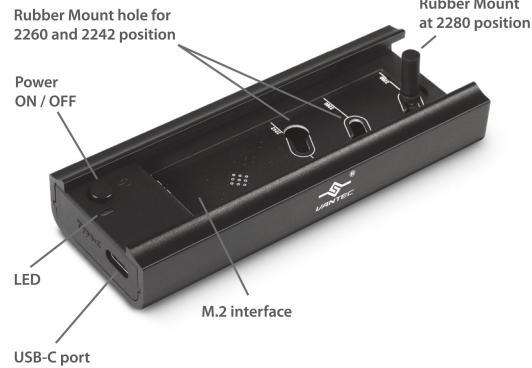


QRCode to product Page,  
Drivers, Manual, and FAQ.

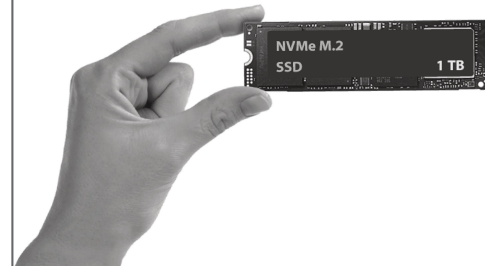
Thank you,  
VantecUSA Support Team.



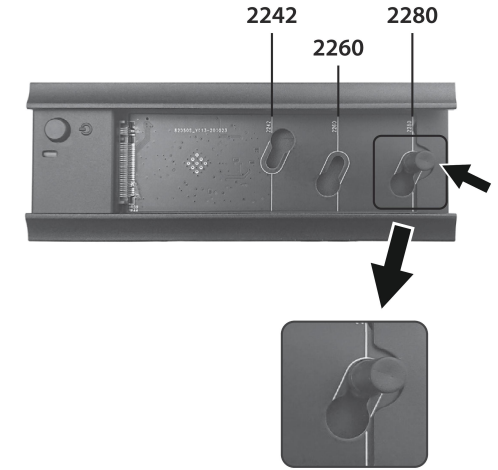
## Installation Guide



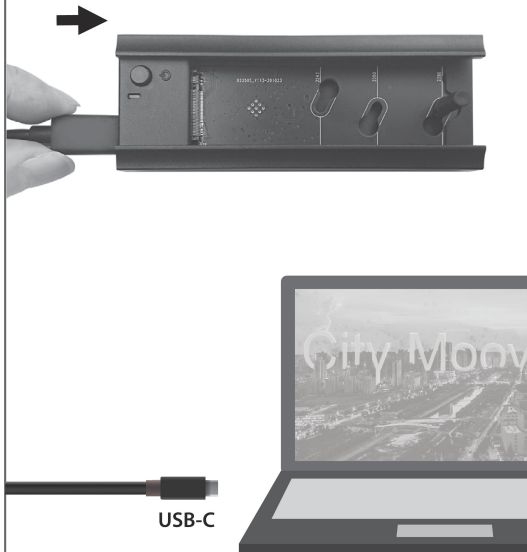
1. Verify the package contents.



2. This DOCK Supports M.2 NVMe or M.2 SATA module. Before you unpack your M.2 module from the manufacturer's packaging, please be aware that this is a sensitive device and can be damaged by Static Electricity. Please ground yourself before handling them and hold them by the edge of the module. M.2 module does run HOT, it will be good to mount a Heat Sink on the M.2 Module before placing it into the dock. When purchasing a Heat Sink, note the measurement of the Heat Sink.

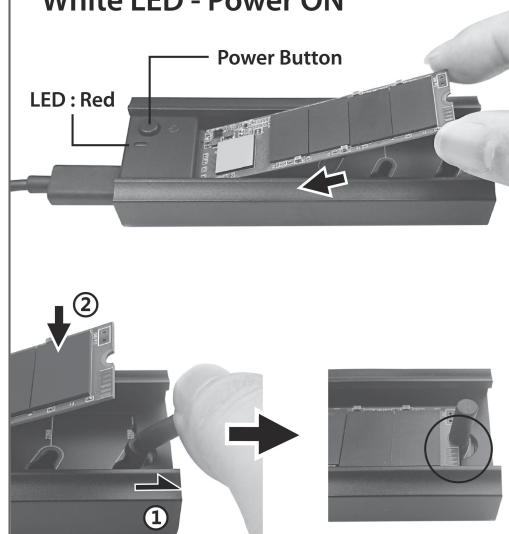


3. Note the length of your M.2 Module. This Dock will fit M.2 Module of size 2280, 2260, and 2242 in length. Adjust the Rubber Locking Mount to the right position for the length of your M.2 module by inserting it into the Rubber Mounting Hole and slide to lock the Rubber Locking Mount in place.

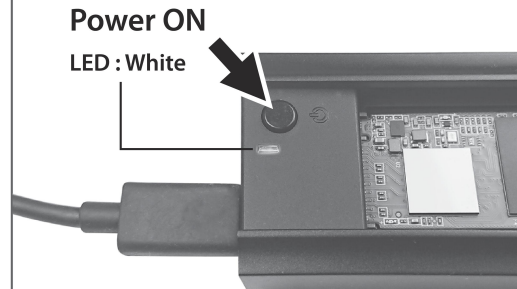


4. Connect one end of the USB cable to the Dock and the other end to your system USB C port. Your Dock is ready to use.

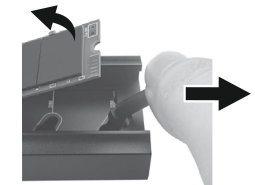
RED LED - Power OFF  
White LED - Power ON



5. Insert your M.2 Module securely into the M.2 interface at an angle and push down while pushing the Rubber Locking Mount away slightly to let the M.2 module lock in place.



6. Push the power ON/OFF button and the LED will show in white. Your system will show this USB connected device. If this M.2 module is new, you will need to prep (initialize, partition and format) your M.2 module for use. If this M.2 module is used or contains data, you should be able to browse the files stored in the M.2 module.



7. To swap or remove the M.2 module, please push the power button and make sure the device is in power OFF state (LED shows RED) before pushing the Rubber Locking Mount to the right to release and remove the M.2 module.

IMPORTANT NOTE: DO NOT UNPLUG THE M.2 MODULE WHEN THE LED IS WHITE, IT MAY CAUSE DATA CORRUPTION. ALWAYS TURN THE DOCK POWER OFF (SHOW RED LED) BEFORE REMOVING THE M.2 MODULE.

[www.vantecusa.com](http://www.vantecusa.com)

NST-D209C3-BK

Information in this document is subject to change without notice. Reproduction of these materials in any manner whatsoever without written permission is strictly forbidden.



v1.01



Printed on Recycled Paper.  
Copyright © 2021 Vantec Thermal Technologies. All Rights Reserved.  
All Registered Trademarks Belong to Their Respective Companies.